
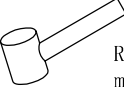

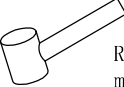
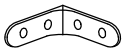
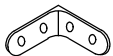

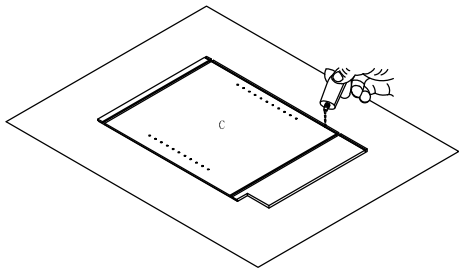


Base Angle End Cabinet Assembly Instruction

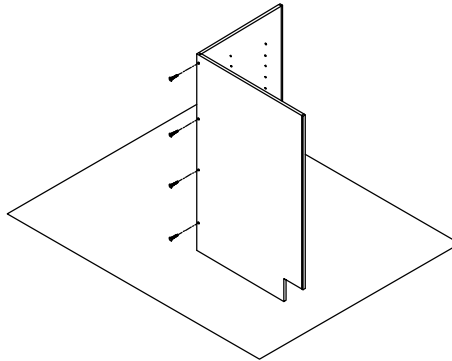
(Item: BEC24)

Hardware list	1 8pcs $\varnothing 4 \times 16\text{mm}$	2 4pcs $\varnothing 4 \times 19\text{mm}$	3 24pcs $\varnothing 3.5 \times 16\text{mm}$	6 12pc $\varnothing 4 \times 25\text{mm}$	4 4pcs $\varnothing 3.5 \times 35\text{mm}$	5 4pcs 1-1/4"	6 5pcs 6mm
	Flat head screw	Round head screw	Color galvanized screw with flat head	screw with flat head	Black screw with flat head	Hinge	Shelf clips
Assembly tools required	 Screw driver	 Rubber mallet			9 4pcs 40mmx40mm Bracket rainbow 135°	8 2pcs 40mmx40mm Bracket rainbow 90°	7 4pcs $\varnothing 7$ Bumper
							
Cabinet Part List	A Front frame	B Small side panel(1)	C Big side panel(1)	D Top&Bottom panel(2)	E Toe kick	F Adjustable shelf	G Door

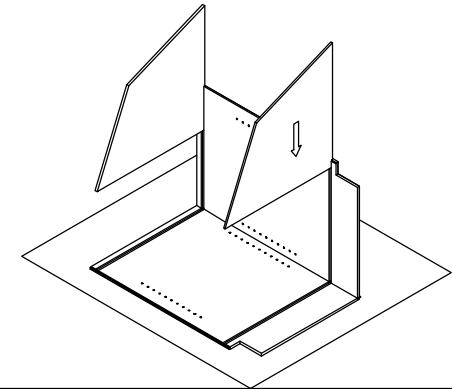
Step 1 : With big side panel (C) of cabinet lay down on clean and soft surface then put glue into groove.



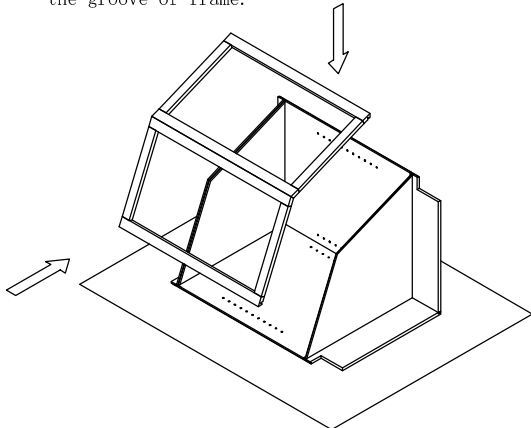
Step 2 : Insert the small side panel (B) to the groove of the big side panel (C), then screw the two side panels with (4) $\varnothing 3.5 \times 35\text{mm}$ screws.



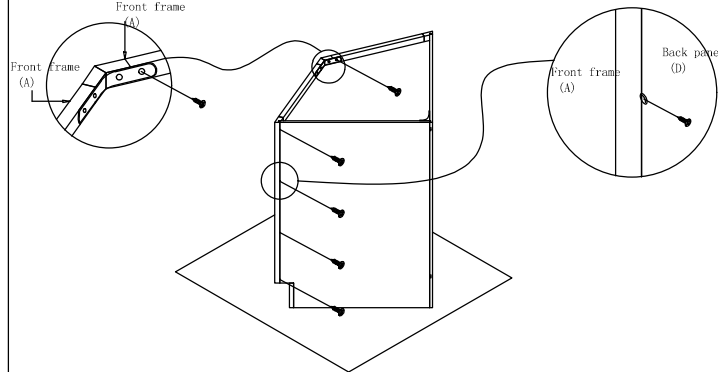
Step 3 : Insert the top & bottom panels to the grooves of both sides.



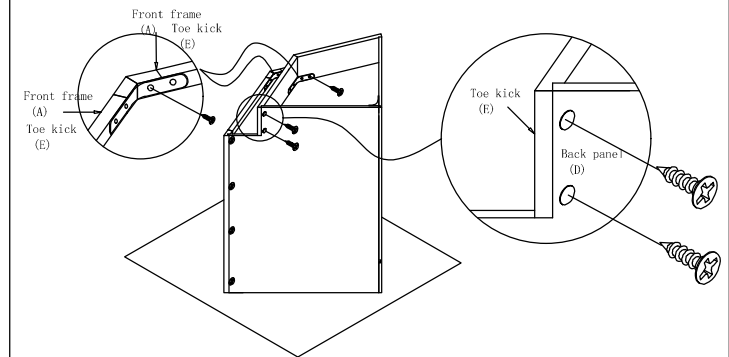
Step 4 : Install frame. Insert both sides panel to the groove of frame.



Step 5 : Install assembly screw (6) $\varnothing 4 \times 25\text{mm}$ into back panel (D) then screw the 135° bracket on two front frame with (3) $\varnothing 3.5 \times 16\text{mm}$ screw.



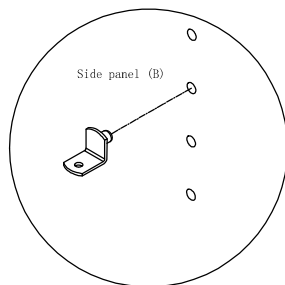
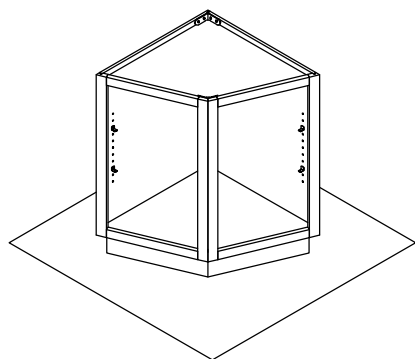
Step 6 : Install toe kick panel. First connect two piece of toe kick with 135° bracket then assembly toe kick onto side panel (B) with (6) $\varnothing 4 \times 25\text{mm}$ screw.



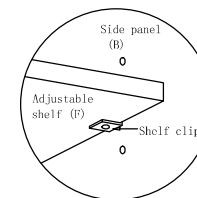
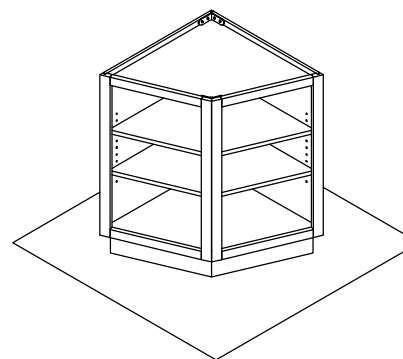
Base Angle End Cabinet Assembly Instruction

(Item: BEC24)

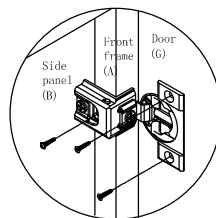
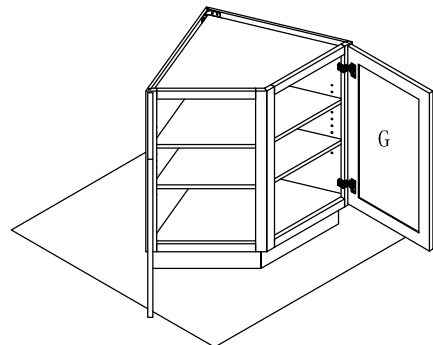
Step 7 : Install shelf clips. Install the shelf clips to side panels and front frame.



Step 8 : Install adjustable shelf (F). Put the adjustable shelf on the shelf clips.



Step 9 : Install door panel (G). Screw the hinge to the front frame (A).



Step 10 : Finish installation of cabinet.

