


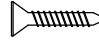

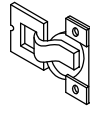
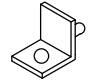
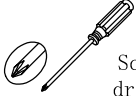
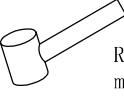
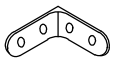

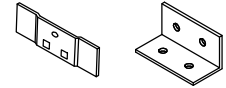

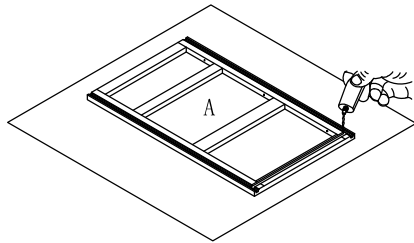


Drawer Base Cabinet Assembly Instruction

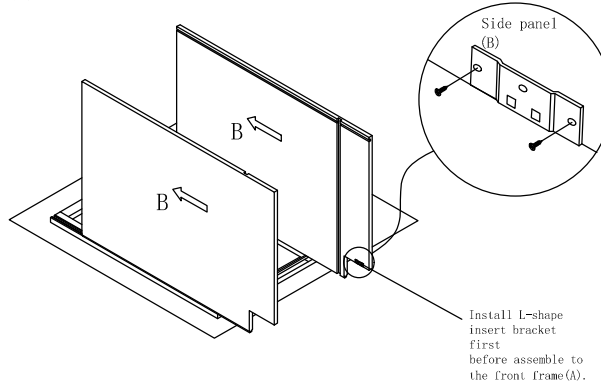
(Item:DB36)

Hardware list	1	Ø4x16mm Flat head screw	2	Ø4x19mm Round head screw	3	20pcs Ø3.5x14mm Color galvanized screw with flat head	4	10pcs Ø3.5x16mm Color galvanized screw with flat head	5	3pcs Ø3.5x35mm Black screw with flat head	6	1-1/4" Hinge	7	6mm Shelf clips
														
Assembly tools required		Screw driver		Rubber mallet	11	4pcs 40mmx40mm Bracket rainbow 90°	10	12pcs Ø7 Bumper	9	4set L-shape bracket	8	3set S30B533H10GA08 Drawer slide		
														
Cabinet Part List	A	Front frame	B	Side panel(2)	H	Drawer part	D	Back panel	E	Toe kick panel	F	Adjustable shelf	G	Door

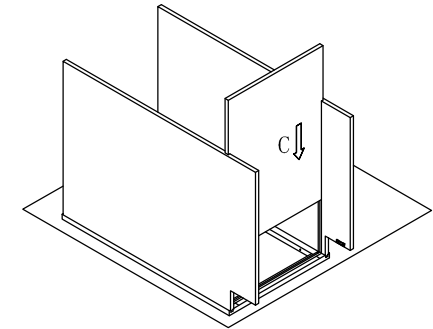
Step 1 : With front frame (A) of cabinet lay down on clean and soft surface then put glue into groove.



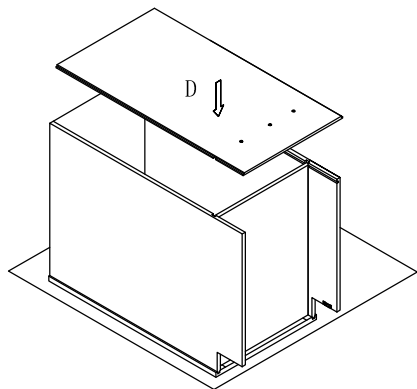
Step 2 : Install side panel. Insert both side panel (B) into groove of front frame(A) until side panel(B) and front frame(A) even.



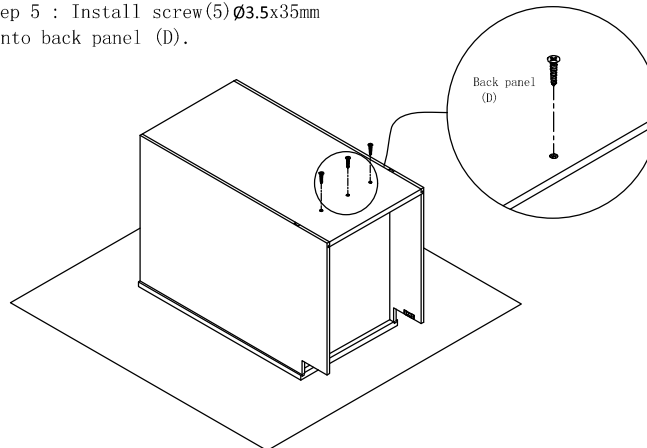
Step 3 : Install bottom panel. Insert the bottom panel (C) into groove of side panel(B) until it into the groove of front frame(A).



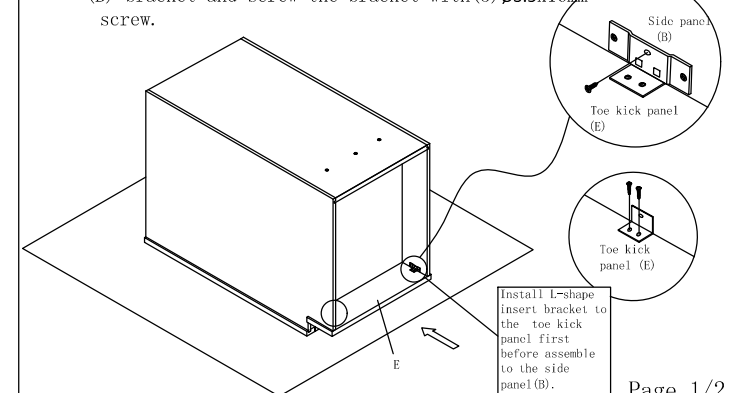
Step 4 : Install back panel. Insert back panel (D) into groove of left and right side panel (B).



Step 5 : Install screw (5) Ø3.5x35mm into back panel (D).



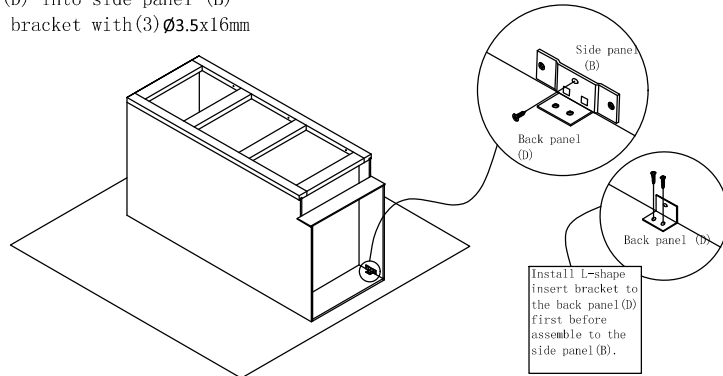
Step 6 : Install toe kick panel. Fit in the L-shape insert bracket to the toe kick panel (E) and screw the bracket with (3) Ø3.5x16mm screw.



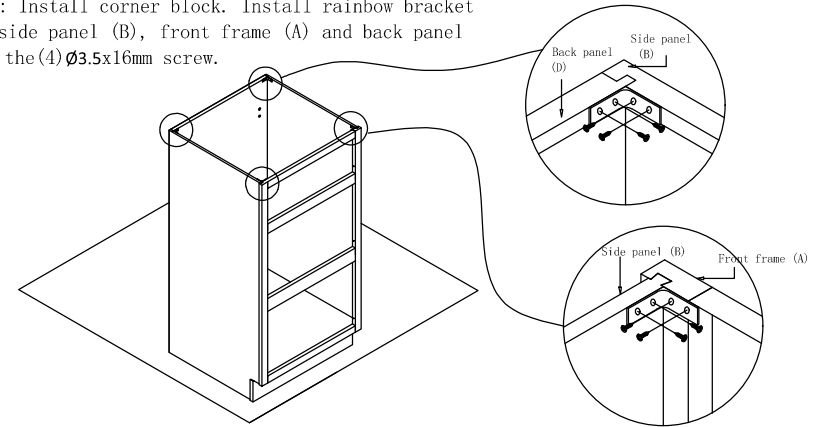
Drawer Base Cabinet Assembly Instruction

(Item:DB36)

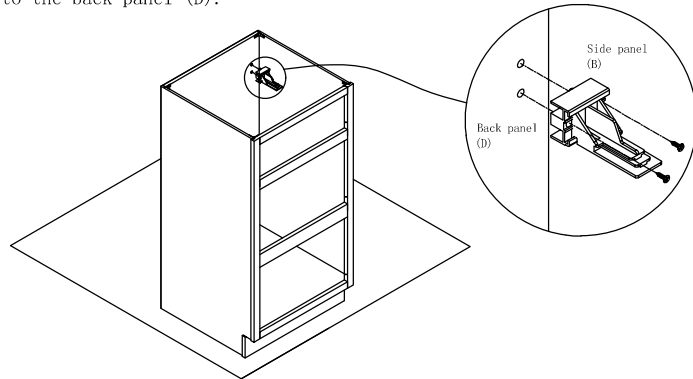
Step 7 : Install back panel. Fit in the L-shape insert bracket from back panel (D) into side panel (B) bracket and assembly the bracket with (3) $\varnothing 3.5 \times 16$ mm screw.



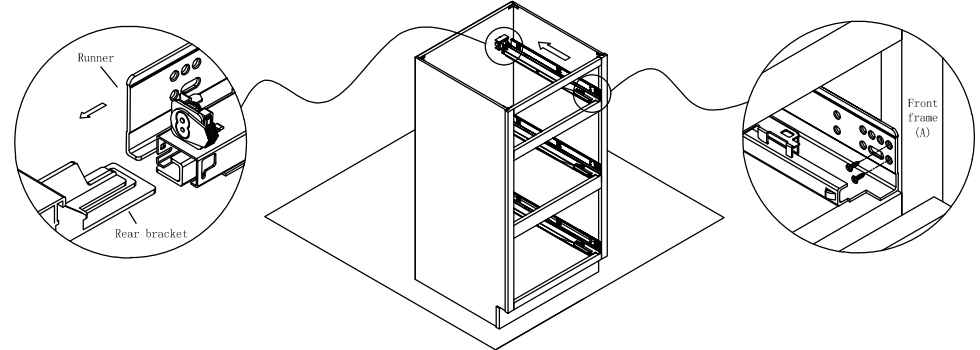
Step 8 : Install corner block. Install rainbow bracket to the side panel (B), front frame (A) and back panel (D) with the (4) $\varnothing 3.5 \times 16$ mm screw.



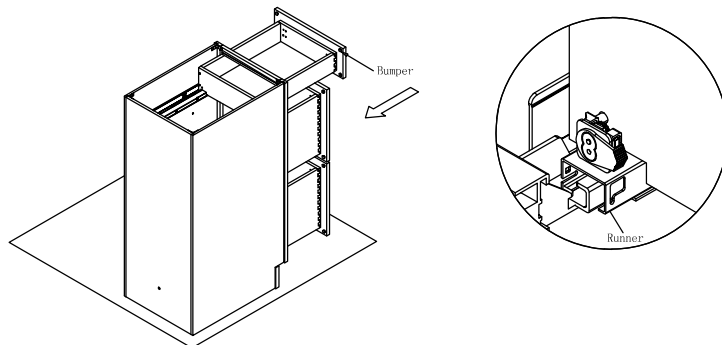
Step 9 : Install the drawer slide rear bracket. Screw the rear slide bracket to the back panel (D).



Step 10 : Insert drawer slide runner to the rear slide bracket and screw the drawer side to the guide hole of front frame (A) and hole for drawer slide



Step 11 : Put the drawer box on the drawer slide and push the drawer box to make the end of runner is lock to the hole of the drawer back panel. Complete the installation of the drawer box when you hear sound click which mean the locking device is locked on the drawer slide.



Step 12 : Finish installation of cabinet.

