




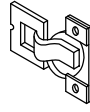
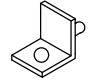
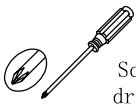
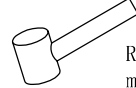
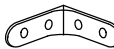
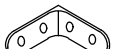

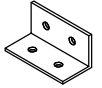


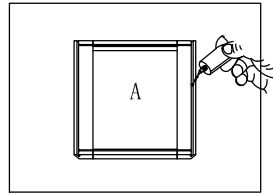
Diagonal Corner Wall Cabinet Assembly Instruction

(Item:WDC2430-WDC2436 WDC273615)

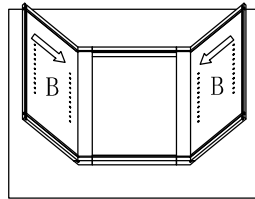
Hardware list	1 4pcs $\varnothing 4 \times 16\text{mm}$ Flat head screw	2 2pcs $\varnothing 4 \times 19\text{mm}$ Round head screw	3 8pcs $\varnothing 3.5 \times 16\text{mm}$ Color galvanized screw with flat head	4 32pcs $\varnothing 3.5 \times 16\text{mm}$ Color galvanized screw with flat head	5 10pcs $\varnothing 3.5 \times 35\text{mm}$ Black screw with flat head	6 2pcs 1-1/4" Hinge	7 16pcs 6mm Shelf clips	
								
Assembly tools required	Screw driver	Rubber mallet	11 4pcs 40mmx40mm Bracket rainbow 135°		10 4pcs 40mmx40mm Bracket rainbow 90°		9 2pcs $\varnothing 7$ Bumper	8 2set L-shape bracket
								

Cabinet Part List A Front frame B Small side panels(2) C Top&Bottom panel D Big side panels(2) E Back panel F Adjustable shelf(2) G Door

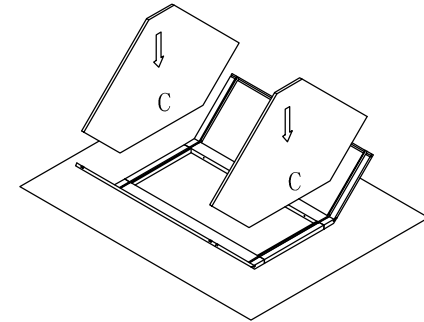
Step 1 : With front frame (A) of cabinet lay down on clean and soft surface then put glue into groove.



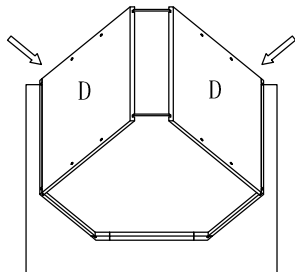
Step 2 : Install small side panels. Insert two small side panels (B) into groove of front frame (A) until side panel (B) and front frame (A) even.



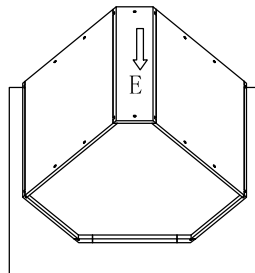
Step 3 : Install top and bottom panel. Insert top and bottom panel (C) into groove of side panel (B) until it into the groove of front frame (A).



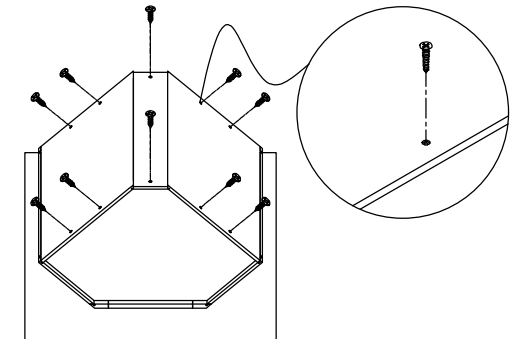
Step 4 : Install big side panels. Insert big side panel (D) into groove of both small side panels (B) until top&bottom panels insert into groove of big side panel.



Step 5 : Install the back panel.



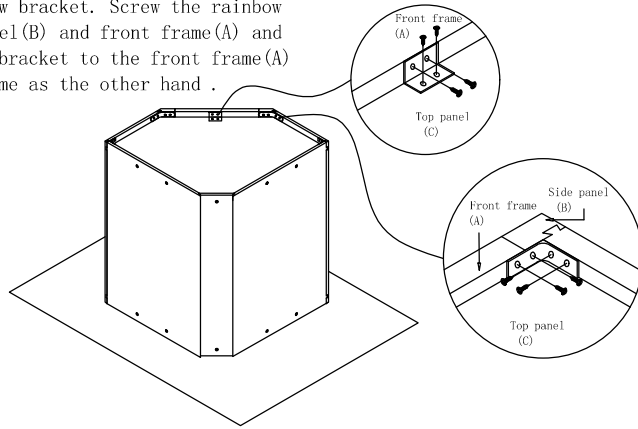
Step 6 : Screw the big side panels and top&bottom panel, also screw the back panel and top&bottom panel.



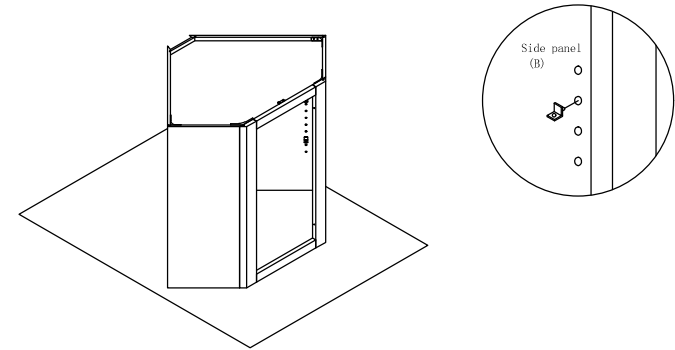
Diagonal Corner Wall Cabinet Assembly Instruction

(Item:WDC2430-WDC2436 WDC273615)

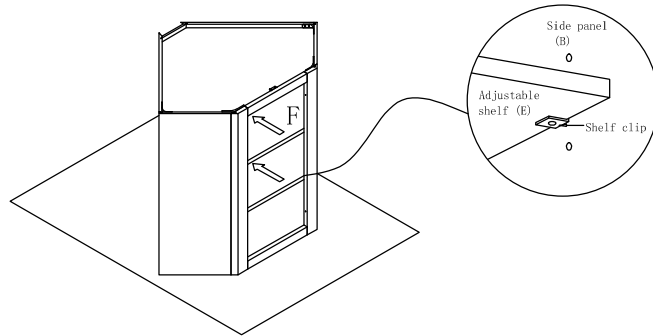
Step 7 : Install rainbow bracket. Screw the rainbow bracket to the side panel(B) and front frame(A) and also screw the L-shape bracket to the front frame(A) and top panel(C), the same as the other hand .



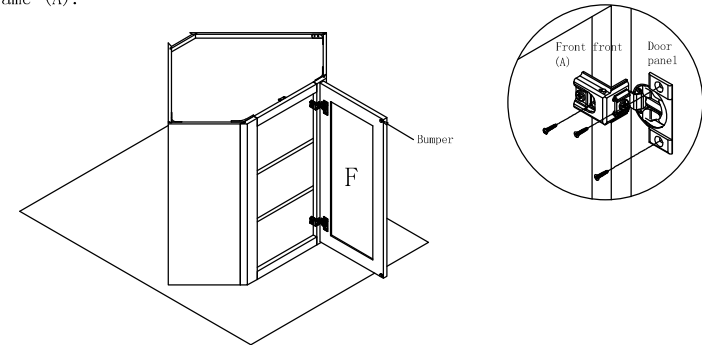
Step 8 : Install shelf clips. Insert shelf clips into the four side panels.



Step 9 : Install adjustable shelf(F).Put the adjustable shelf on the shelf clips.



Step10 : Install door. Screw the hinge to the door (G) and front frame (A).



Step11 : Finish installation of cabinet.

