




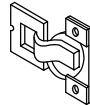
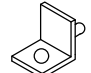

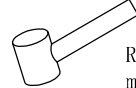
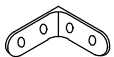

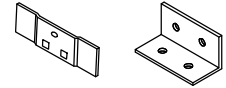

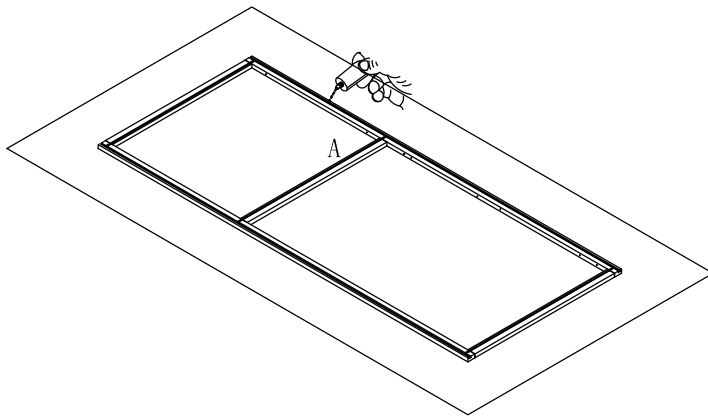


Tall Pantry Cabinet Assembly Instruction

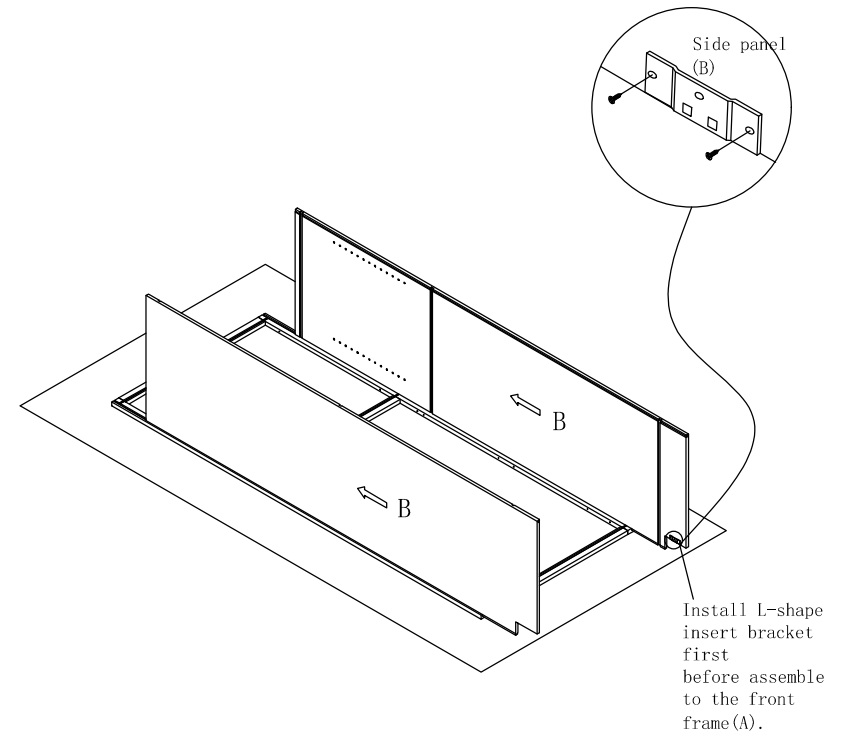
(Item:WP2484 WP2490)

Hardware list	1 20pcs $\varnothing 4 \times 16\text{mm}$ Flat head screw	2 10pcs $\varnothing 4 \times 19\text{mm}$ Round head screw	3 20pcs $\varnothing 3.5 \times 14\text{mm}$ Color galvanized screw with flat head	4 16pcs $\varnothing 3.5 \times 16\text{mm}$ Color galvanized screw with flat head	5 6pcs $\varnothing 3.5 \times 35\text{mm}$ Black screw with flat head	6 10pcs 1-1/4" Hinge	7 8pcs 6mm Shelf clips	
								
Assembly tools required	Screw driver	Rubber mallet	I Drawer box (3) H Adjustable shelf (2)		11 4pcs 40mmx40mm Bracket rainbow 90°	10 4pcs $\varnothing 7$ Bumper	9 4set L-shape bracket	8 3set 22" Steel ball slide
								
Cabinet Part List	A Front frame	B Side panels(2)	C Bottom panel(1)	D Top panel(1)	E Fixed shelf(1)	F Back panel	G Toe kick	J Door(4)

Step 1 : With front frame (A) of cabinet lay down on clean and soft surface then put glue into groove.



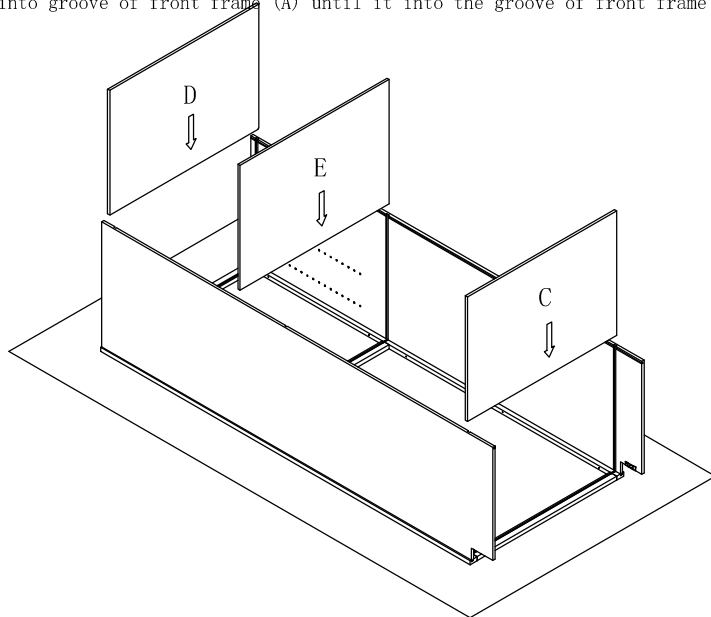
Step 2 : Install side panels. Insert side panel into groove of front frame (A) until side panel and front frame even.



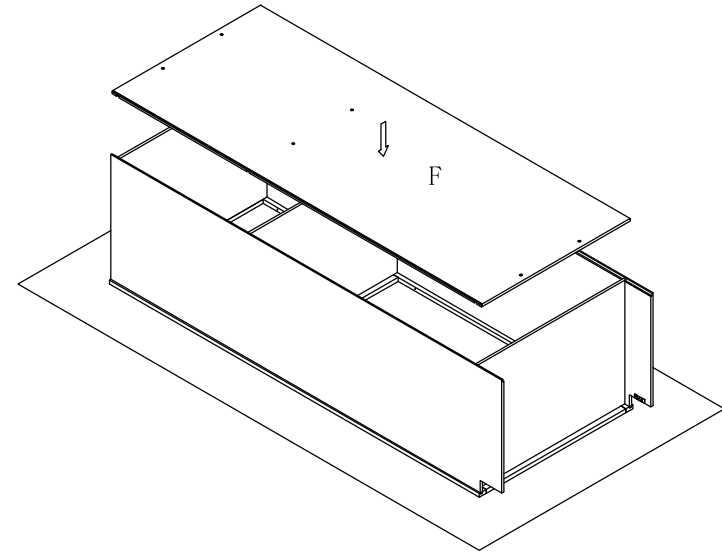
Tall Pantry Cabinet Assembly Instruction

(Item:WP2484 WP2490)

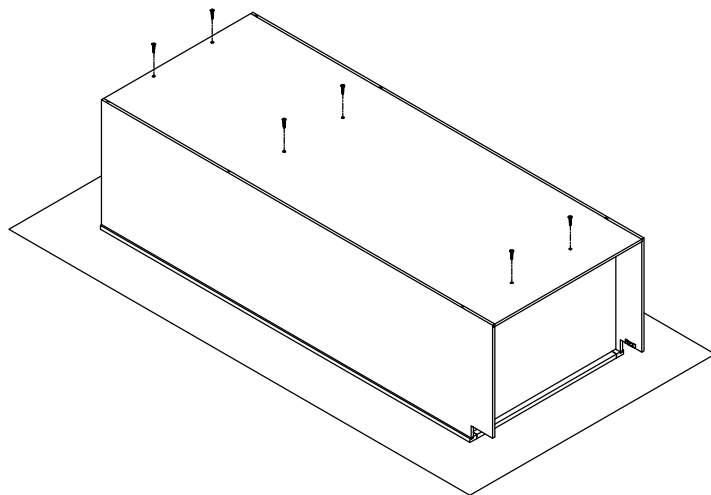
Step 3 : Install top&bottom panel and fixed shelf. Insert top panel(D) bottom panel(C)and fixed shelf (E) into groove of front frame (A) until it into the groove of front frame (A).



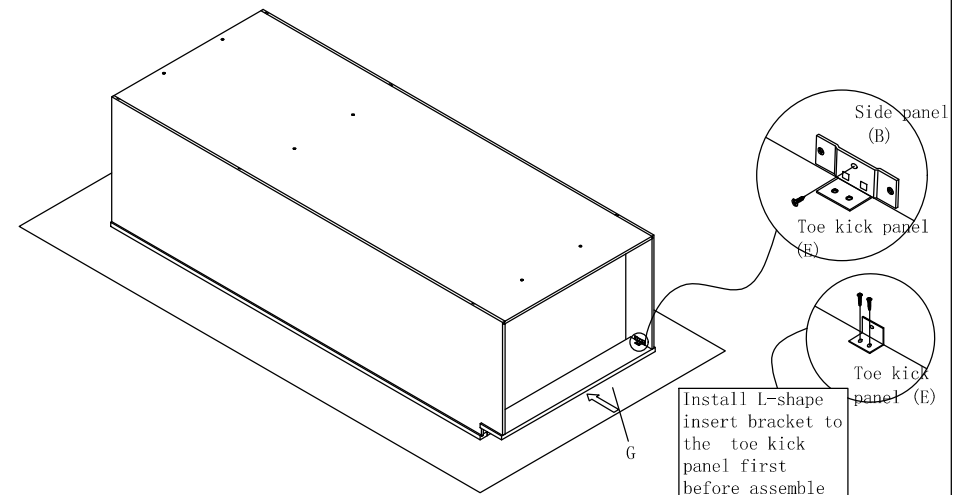
Step 4 : Install back panel(F).until bottom panel and top panel and fixed shelf into the groove of back panel.



Step 5 : Install assembly screws(5)Ø3.5x35mm into back panel (D).



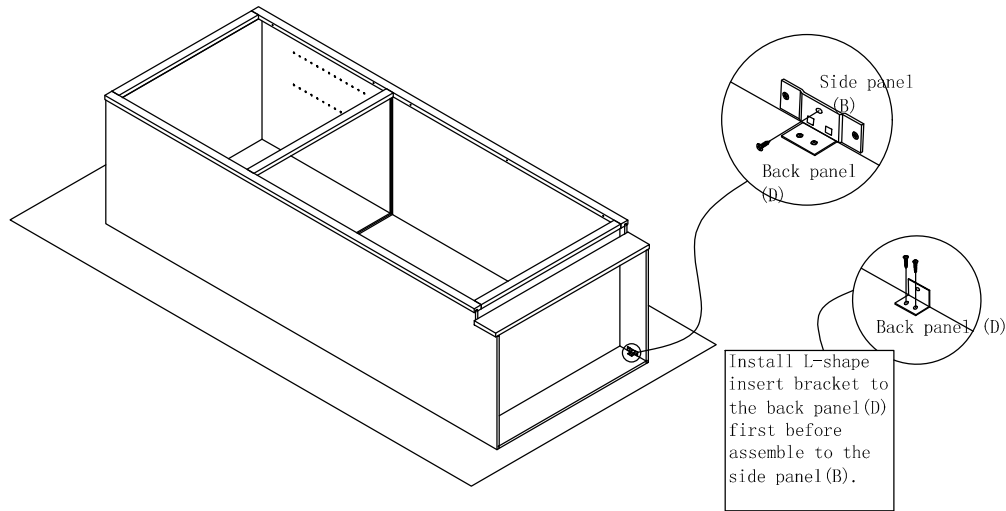
Step 6 : Install toe kick panel(G).Fit in the L-shape insert bracket from toe kick panel (G) into side panel (B) bracket and screw the bracket with(3)Ø3.5x14mm screw.



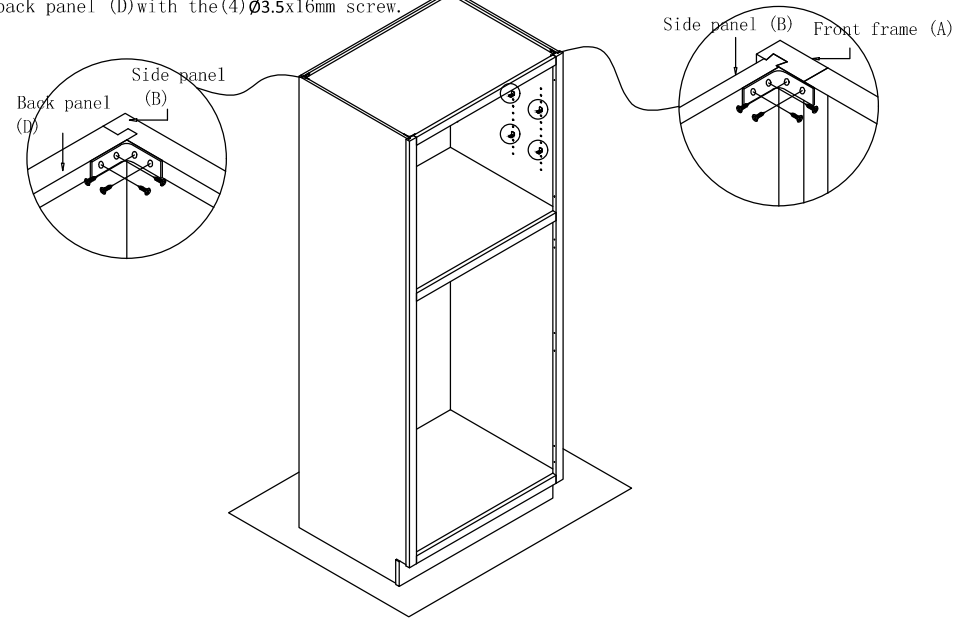
Tall Pantry Cabinet Assembly Instruction

(Item:WP2484 WP2490)

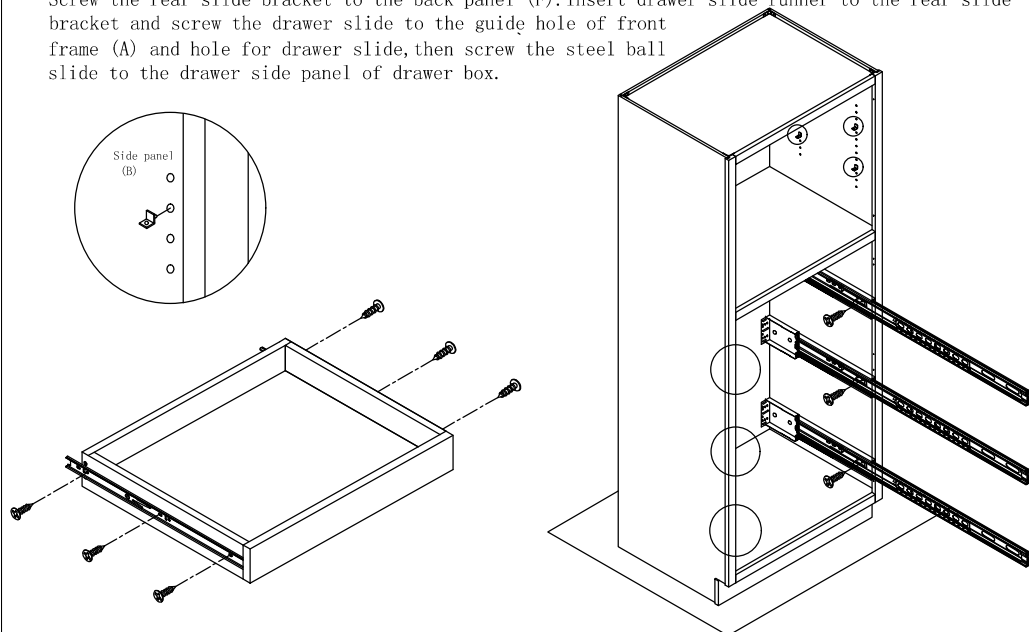
Step 7 : Install back panel. Fit in the L-shape insert bracket from back panel (D) into side panel (B) bracket and screw the bracket with (3) $\varnothing 3.5 \times 14$ mm screw.



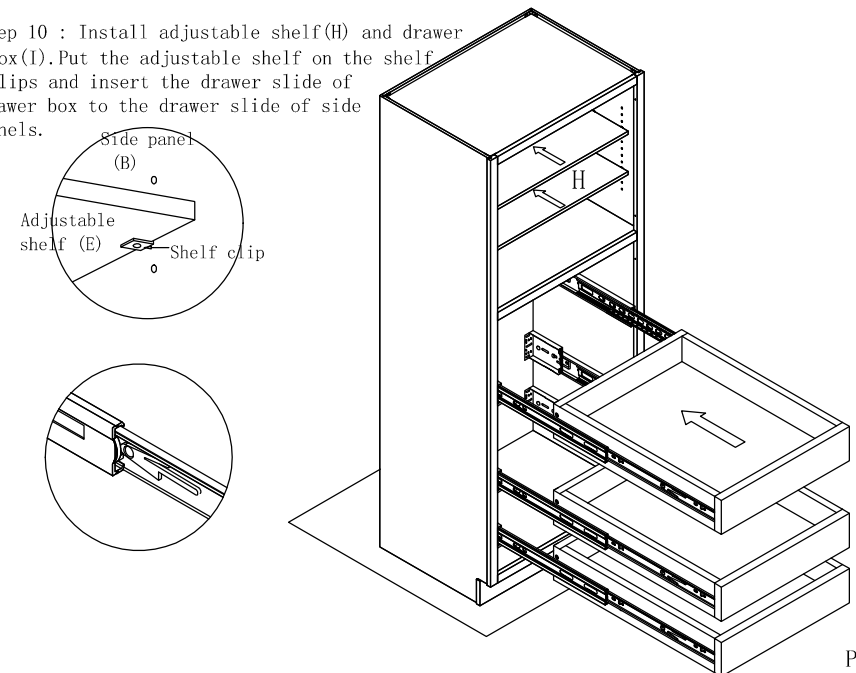
Step 8 : Install corner block. Install rainbow bracket to the side panel (B), front frame (A) and back panel (D) with the (4) $\varnothing 3.5 \times 16$ mm screw.



Step 9 : Install shelf clips and steel ball slide. Insert shelf clips into the side panels, then screw the rear slide bracket to the back panel (F). Insert drawer slide runner to the rear slide bracket and screw the drawer slide to the guide hole of front frame (A) and hole for drawer slide, then screw the steel ball slide to the drawer side panel of drawer box.



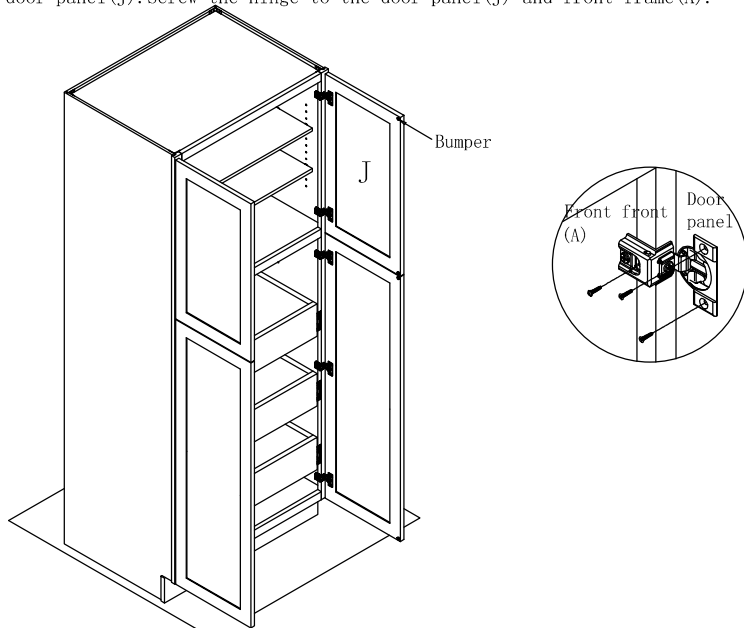
Step 10 : Install adjustable shelf (H) and drawer box (I). Put the adjustable shelf on the shelf clips and insert the drawer slide of drawer box to the drawer slide of side panels.



Tall Pantry Cabinet Assembly Instruction

(Item:WP2484 WP2490)

Step 11 : Install door panel(J).Screw the hinge to the door panel(J) and front frame(A).



Step 12 : Finish installion of the cabinet.

