
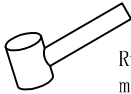
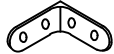

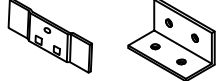

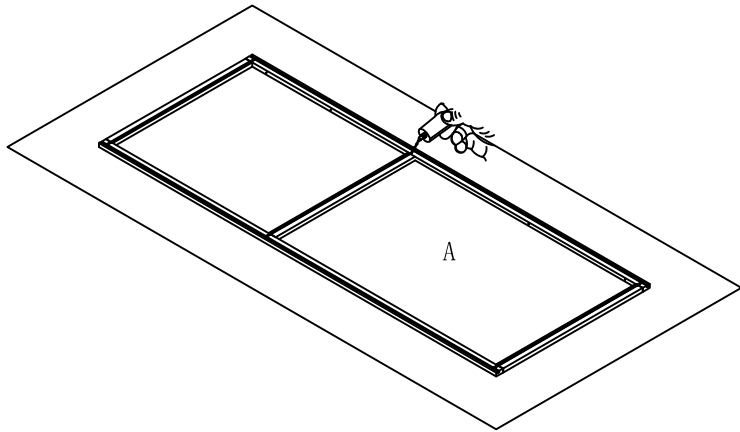


# Tall Pantry Cabinet Assembly Instruction

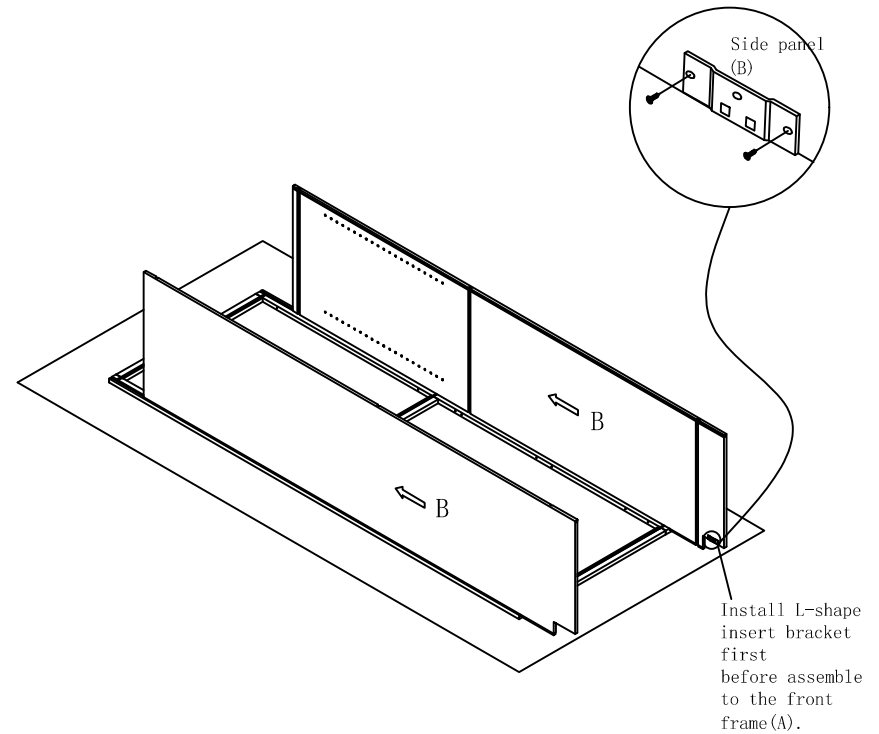
## (Item:WP2496)

Hardware list	1   2pcs   $\varnothing 4 \times 16\text{mm}$	2   2pcs   $\varnothing 4 \times 19\text{mm}$	3   20pcs   $\varnothing 3.5 \times 14\text{mm}$	4   6pcs   $\varnothing 3.5 \times 16\text{mm}$	5   6pcs   $\varnothing 3.5 \times 35\text{mm}$	6   12pcs   1-1/4"	7   8pcs   6mm
	Flat head screw	Round head screw	Color galvanized screw with flat head	Color galvanized screw with flat head	Black screw with flat head	Hinge	Shelf clips
Assembly tools required	 Screw driver	 Rubber mallet	J   Door (4)	11   4pcs   40mmx40mm	10   4pcs   $\varnothing 7$	9   4set	8   3set   22"
			I   Drawer box (3)	Bracket rainbow 90°	Bumper	L-shape bracket	Steel ball slide
			H   Adjustable shelf (3)				
			Cabinet Part List	A   Front frame	B   Side panels (2)	C   Bottom panel (1)	D   Top panel (1)

Step 1 : With front frame (A) of cabinet lay down on clean and soft surface then put glue into groove.



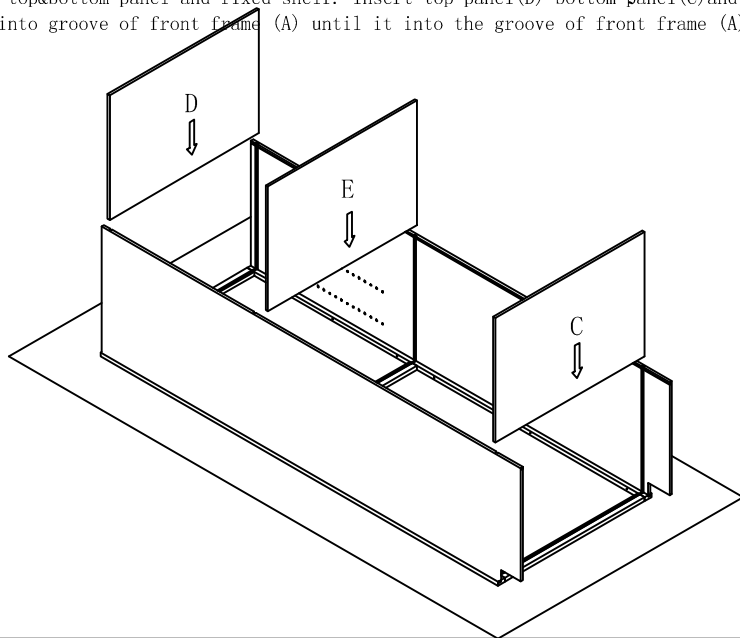
Step 2 : Install side panels. Insert side panel into groove of front frame (A) until side panel and front frame even.



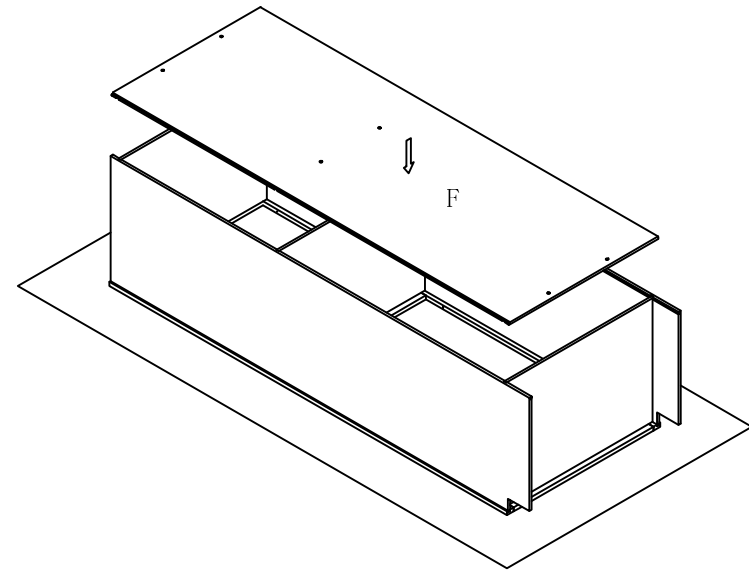
# Tall Pantry Cabinet Assembly Instruction

(Item:WP2496)

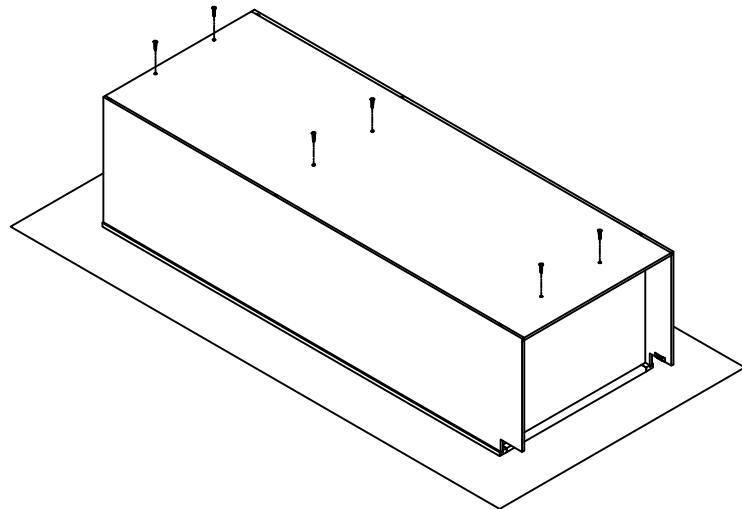
Step 3 : Install top&bottom panel and fixed shelf. Insert top panel(D) bottom panel(C)and fixed shelf (E) into groove of front frame (A) until it into the groove of front frame (A).



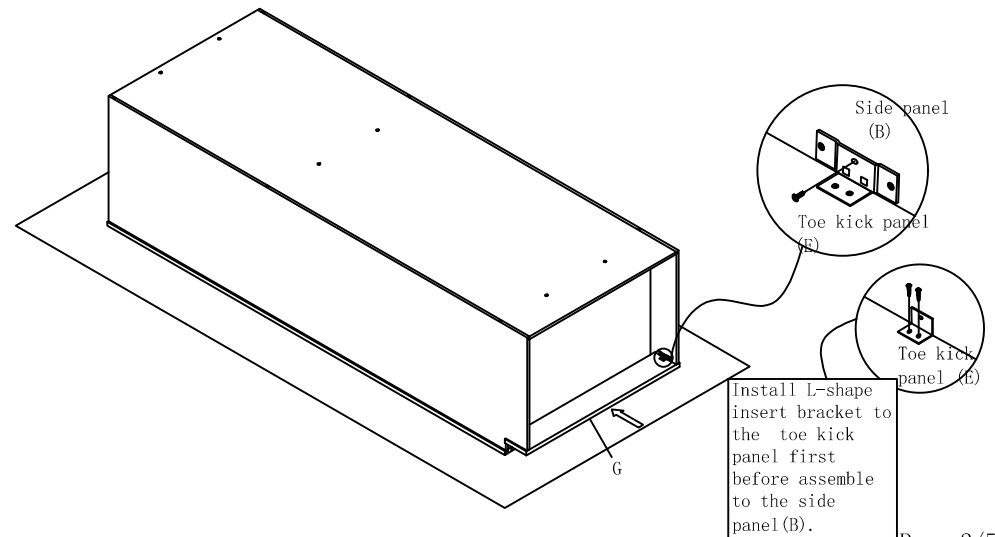
Step 4 : Install back panel(F).until bottom panel and top panel and fixed shelf into the groove of back panel.



Step 5 : Install assembly screws(5)  $\varnothing 3.5 \times 35$ mm into back panel (D).



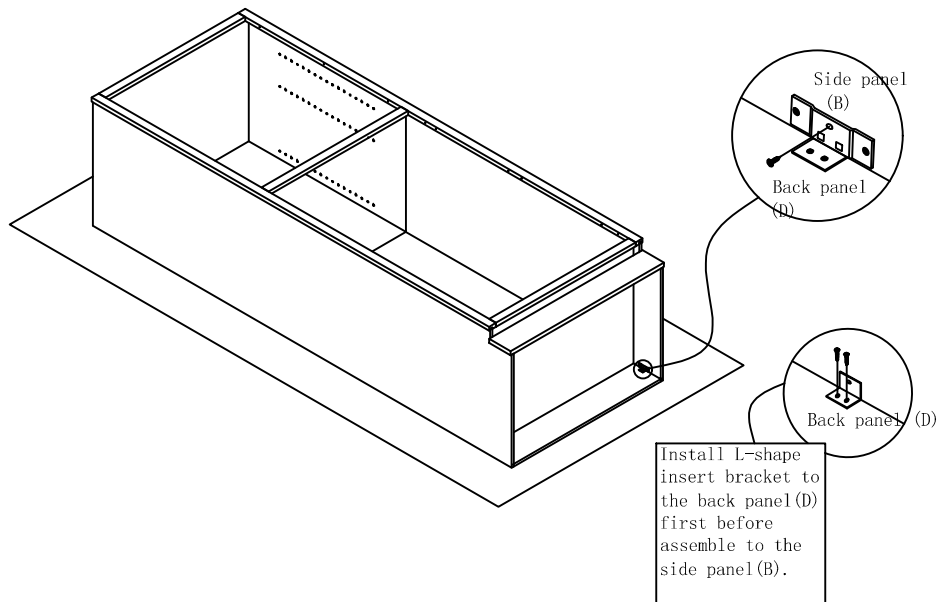
Step 6 : Install toe kick panel(G).Fit in the L-shape insert bracket from toe kick panel (G) into side panel (B) bracket and screw the bracket with(3)  $\varnothing 3.5 \times 14$ mm screw.



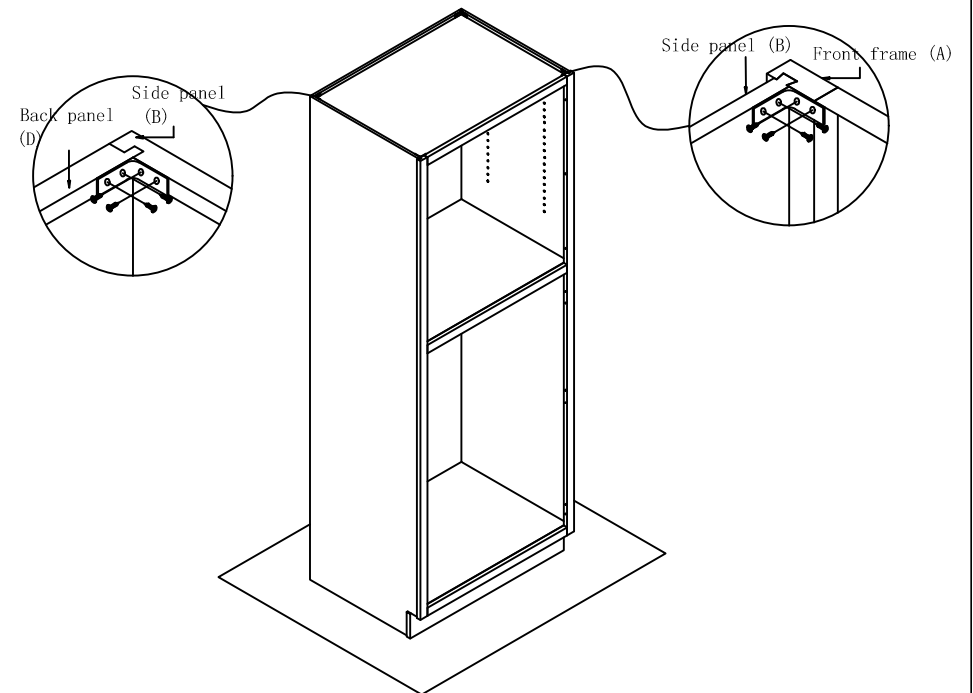
# Tall Pantry Cabinet Assembly Instruction

(Item:WP2496)

Step 7 : Install back panel. Fit in the L-shape insert bracket from back panel (D) into side panel (B) bracket and screw the bracket with(3)  $\varnothing 3.5 \times 14 \text{mm}$  screw.



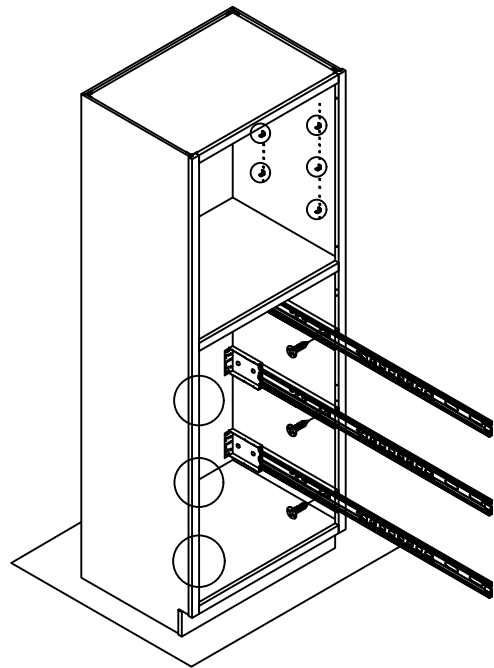
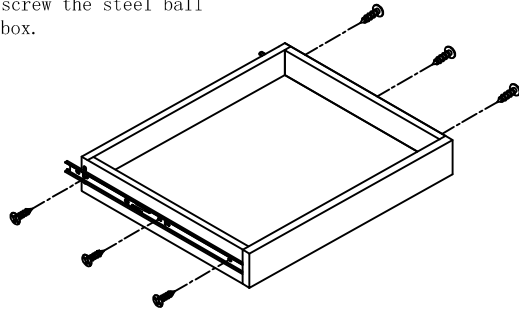
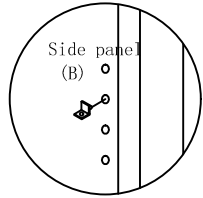
Step 8 : Install corner block. Install rainbow bracket to the side panel (B), front frame (A) and back panel (D) with the(4)  $\varnothing 3.5 \times 16 \text{mm}$  screw.



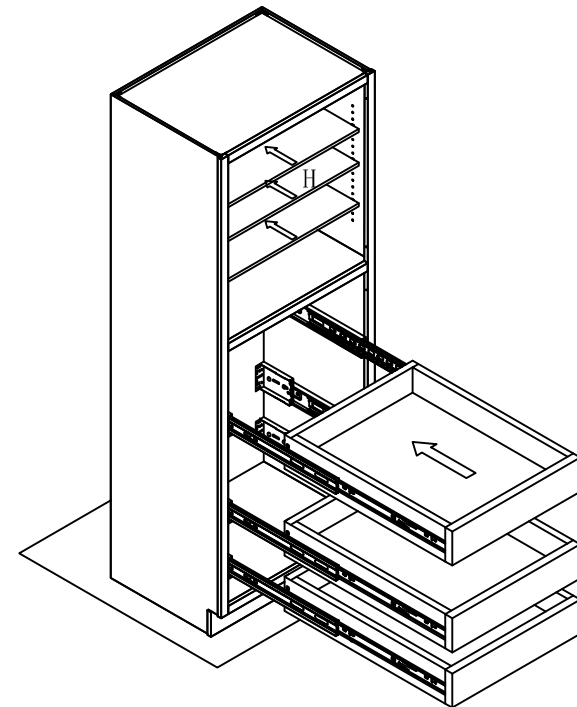
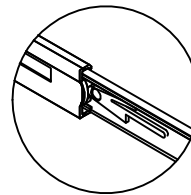
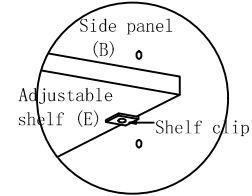
# Tall Pantry Cabinet Assembly Instruction

(Item:WP2496)

Step 9 : Install shelf clips and steel ball slide. Insert shelf clips into the side panels, then screw the rear slide bracket to the back panel (F). Insert drawer slide runner to the rear slide bracket and screw the drawer slide to the guide hole of front frame (A) and hole for drawer slide, then screw the steel ball slide to the drawer side panel of drawer box.



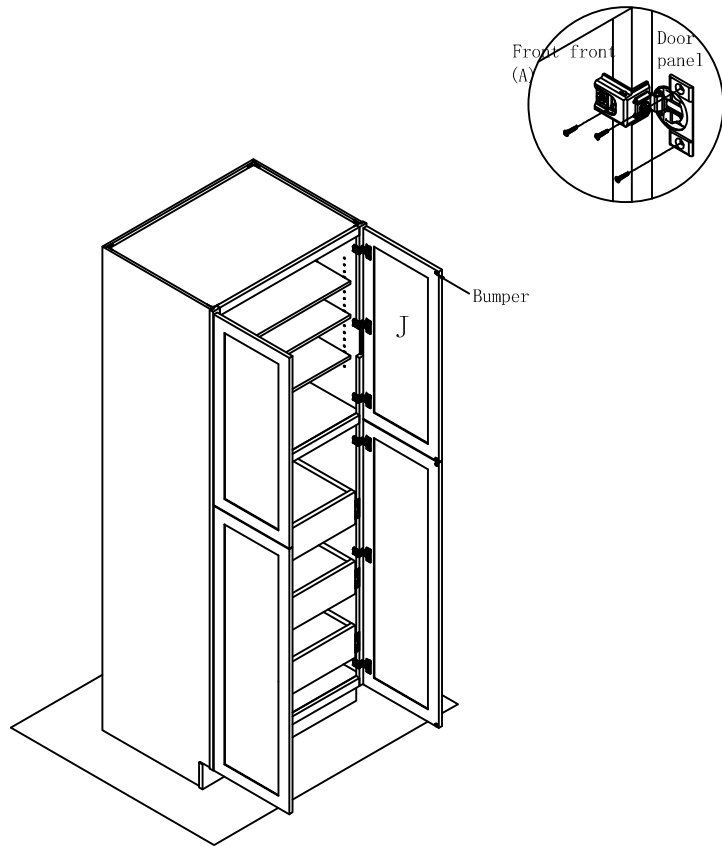
Step 10 : Install adjustable shelf (H) and drawer box (I). Put the adjustable shelf on the shelf clips and insert the drawer slide of drawer box to the drawer slide of side panels.



# Tall Pantry Cabinet Assembly Instruction

(Item:WP2496)

Step 11 : Install door panel(J).Screw the hinge to the door panel(J) and front frame(A).



Step 12 : Finish installion of the cabinet.

